

Broadcast Network Gateway™ BNG 6108 IP

Product Description

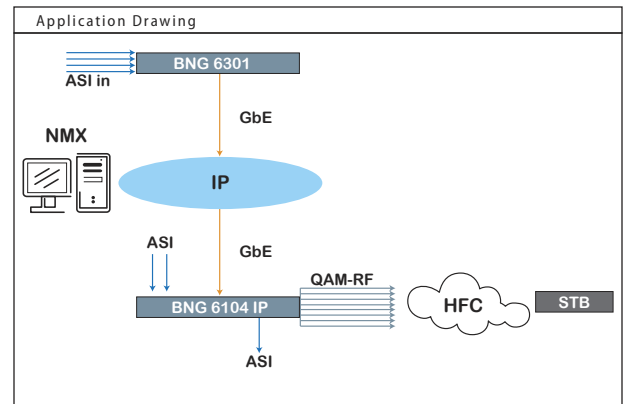
The Broadcast Network Gateway™ BNG 6108 IP is a broadcast edge QAM device designed for broadcasting MPEG video over IP networks. The 1-RU system features one Gigabit Ethernet channel and two ASI input interfaces, which can be multiplexed to eight QAM RF and one ASI output interfaces.

Typically, the BNG 6108 IP is located at a remote headend, where it broadcasts content received from an IP backbone onto an HFC network, while the two ASI input ports are used for local content insertion.

The BNG 6108 IP can be configured and monitored using a Web browser or as part of a complete solution managed by Harmonic's NMX Digital Service Manager™.

Key Benefits

- **Field-proven broadcast QAM solution** – with thousands of BNGs installed in more than 50 networks worldwide, Harmonic provides a solid foundation of outstanding performance and proven service. The BNG 6108 IP expands upon this expertise with eight QAM RF outputs in a single 1-RU unit.
- **Redundancy and resiliency** – The BNG IP-to-QAM models support a multitude of redundancy options, allowing operators to maximize network uptime. These options include physical port 1:1 redundancy, unit-level back-up (1:1, N:M) and service or transport level redundancy.
- **Advanced multiplexing and scrambling** –The BNG 6108 IP offers an extensive range of features including multiplexing of SPTS and MPTS streams, dynamic service allocation and flexible DVB SimulCrypt scrambling. Using functionality built into the system's software, these core headend operations can be performed in any of the remote headends.



Features

- Compact 1-RU chassis
- Inputs
 - 1 x GbE
 - 2 x ASI
- Outputs
 - 8 x QAM RF
 - 1 x ASI
 - 1 x ASI (monitoring port)
- In conjunction with NMX, supports 1:1 and N:1 redundancy
- Supports multiplexing

Inputs

Gigabit Ethernet	
Port Density	1+1 (only one is an active channel)
Format	IP/UDP
Bit Rate	1000Base-Zx
Connector	SFP/LC (ordered separately)

ASI	
Port Density	2 x ASI
Format	DVB-ASI
Bit Rate	170 Mbps
Processing	MPEG-2 SPTS and MPTS 188 byte TS packets
Connector	BNC connector, 75 Ω

Outputs

QAM RF	
Port Density	8 x QAM RF (dual, adjacent channels)
Frequency Range	50-860 MHz
Frequency Steps	62.5 kHz
Channel Bandwidth	Annex A (DVB), Annex B and Annex C 6 MHz and 8 MHz
QAM Constellation	QAM 16, 32, 64, 128, 256
Connector	F-type, 75Ω connector
Output Power Level	59 dBmV

ASI	
Port Density	1 x ASI
Format	DVB-ASI
Bit Rate	160 Mbps as RMX
Processing	MPEG-2 SPTS and MPTS 188 byte TS packets
Connector	BNC connector, 75 Ω

Control Interfaces

Management	2 x 100BaseTX (connector RJ-45)
Serial Port	RS232 (reserved for factory use)
Front Panel LED	Power, alarm and I/O status

Power

Input Voltage	100-240 VAC (Line frequency: 50-60 Hz)
---------------	---

Typical Power Consumption	120 W
---------------------------	-------

Environmental

Operating Temperature Range	0° to 50° C 32° to 122° F
-----------------------------	------------------------------

Storage Temperature Range	-40° to +70° C -40° to +158° F
---------------------------	-----------------------------------

Relative Humidity	Maximum 90% non-condensing
-------------------	----------------------------

Emission	FCC Part 15 subpart B, Class A EN 55022/CISPR 22 Class A EN 61000-3-2:1995 + A1:1997 + A2:1998 EN 61000-3-3:1995 Immunity: EN50082-1:1997
----------	--

Safety	EMC compliant to EU directive 89/336/EEC and 47CFR part 15, subpart B Safety compliant to low voltage directive 72/23/EEC and 50083-1 standard
--------	---

Physical

Dimensions (WxHxD)	18.2" x 1.75" x 23" 46.2 cm x 4.45 cm x 58 cm
--------------------	--

Mounting	19", 1 rack-unit high
----------	-----------------------

Weight	15 lbs / 6.8 kg
--------	-----------------

Product Ordering Information

Name	BNG 6108 IP
Part Number	BNG-1G2A-RMX-8Q
Interfaces	1 GbE and 2 x ASI to 4 x QAM-RF (adjacent channels) and 1 x ASI